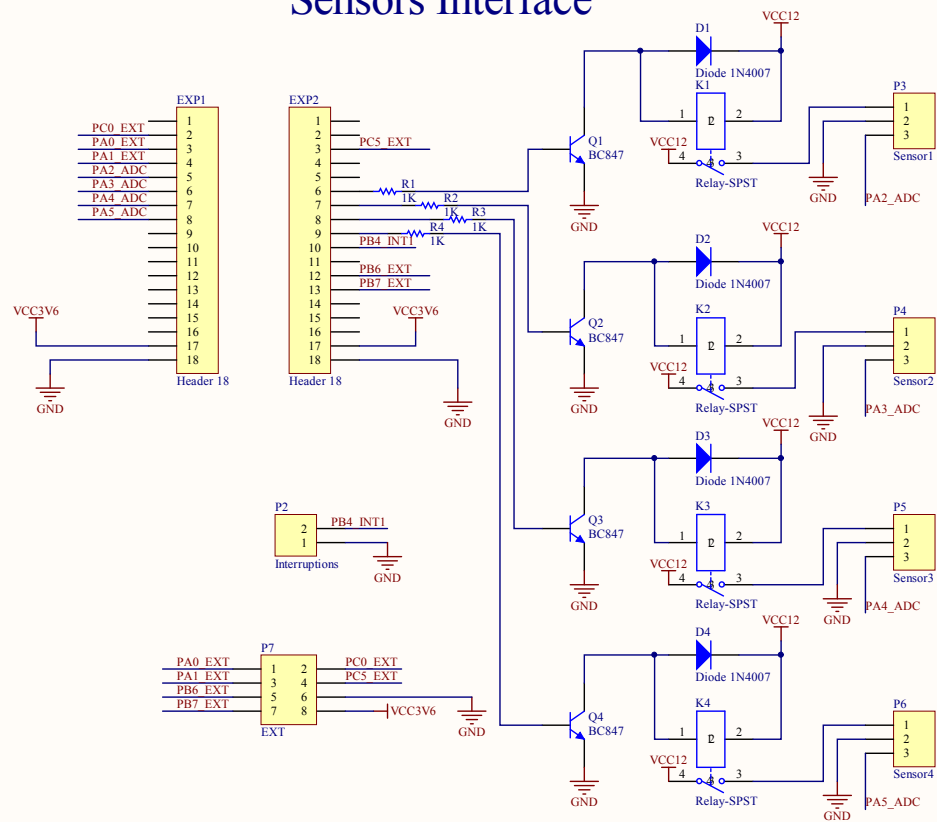
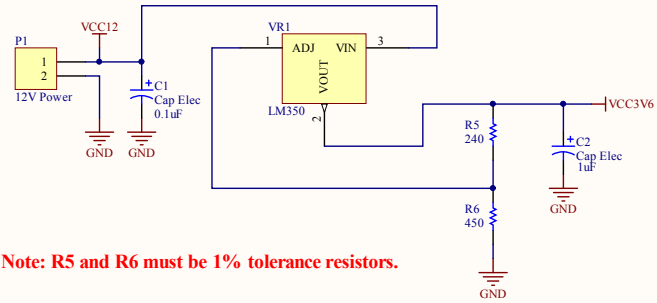


Sensors Interface



12V to 3V6 Voltage Regulator



Note: R5 and R6 must be 1% tolerance resistors.

Comment	Description	Designator	Footprint	LibRef	Quantity
Cap Elec	Polarized Capacitor (Radial)	C1, C2	CAPR5-4X5	Cap Pol1	2
Diode 1N4007	1 Amp General Purpose Rectifier	D1, D2, D3, D4	DO-41	Diode 1N4007	4
Header 18	Header, 18-Pin	EXP1, EXP2	HDR18X1R	Header 18	2
Relay-SPST	Single-Pole Single-Throw Relay	K1, K2, K3, K4	RELAY OJ/ OJE	Relay-SPST	4
12V Power	Header, 2-Pin	P1	HDR1X2R	Header 2	1
Interruptions	Header, 2-Pin	P2	HDR1X2R	Header 2	1
Sensor1	Header, 3-Pin	P3	HDR1X3RR	Header 3	1
Sensor2	Header, 3-Pin	P4	HDR1X3RR	Header 3	1
Sensor3	Header, 3-Pin	P5	HDR1X3RR	Header 3	1
Sensor4	Header, 3-Pin	P6	HDR1X3RR	Header 3	1
EXT	Header, 4-Pin, Dual row, Right Angle	P7	HDR2X4	Header 4X2H	1
BC847	NPN Bipolar Transistor	Q1, Q2, Q3, Q4	SOT-23_L	NPN	4
	Resistor	R1, R2, R3, R4, R5, R6	1206	Res1	6
LM350	Adjustable voltage regulator	VR1	TO-220AB	LM350	1